



# KINGS WAY PRIMARY SCHOOL

P. 2 RECESS REVISION 2020 - (SET FOUR)

ENGLISH

DURATION : 1 HOUR: 45 MINUTES

Name \_\_\_\_\_ Stream \_\_\_\_\_

## SECTION A (50 MARKS)

1. Fill in the missing letters.

a) t\_\_ee

c. k\_\_y

b.) nur\_\_e

d) M\_\_nday

2. Read and draw good pictures.

rainy	two boys	cup	aeroplane

3. Circle the word with correct spelling.

a) gril

girl

glri

b) cut

ctu

uct

c) brusar

brrsau

bursar

d) school

schoolc

slhcoo

4. Write these words in small letters.

LION

\_\_\_\_\_

TEACHER

\_\_\_\_\_

SKIRT

\_\_\_\_\_

FLOWER

\_\_\_\_\_

**5. Arrange the following in alphabetical order.**

a. z, v, x, y

\_\_\_\_\_

b. lorry, van, car, bicycle

\_\_\_\_\_

c. shirt, dress, gloves, blouse

\_\_\_\_\_

**6. Write in full.**

Fri. \_\_\_\_\_

ins't \_\_\_\_\_

Dr. \_\_\_\_\_

Rd. \_\_\_\_\_

**7. Give their opposites.**

she \_\_\_\_\_

father \_\_\_\_\_

good \_\_\_\_\_

thin \_\_\_\_\_

**8. Fill in 'has', 'have', 'a', an.**

a. Manuella \_\_\_\_\_ a doll.

b. \_\_\_\_\_ dog has a bone.

c. I \_\_\_\_\_ two sweets.

d. Here is \_\_\_\_\_ avocado.

**9. Re-write these sentences correctly.**

a. a bicycle Tom has.

\_\_\_\_\_

b. houses are the Where?

\_\_\_\_\_

c. are How you?

\_\_\_\_\_

d. baby dolls Our many has.


\_\_\_\_\_

**10. Write the numbers in words.**

- a. Joel has (10) \_\_\_\_\_ motorcycle.
- b. Anisha was the (3<sup>rd</sup>) \_\_\_\_\_ in Primary One.
- c. There are \_\_\_\_\_ girls in Primary One Active. (20)
- d. I have (2) \_\_\_\_\_ eyes.

**11. Draw good pictures for these sentences.**

The bird is flying over the tree.	Mark is sweeping.
My mother has a knife.	There are three tins.



**12. Make words from the given letters.**

- Tr. — ee \_\_\_\_\_
- Tr. — ap \_\_\_\_\_
- Tr. — eat \_\_\_\_\_
- Tr. — uth \_\_\_\_\_

13. Write in plural form (many)

**One**

**many**

tomato

**tomatoes**

girl

\_\_\_\_\_

box

\_\_\_\_\_

lorry

\_\_\_\_\_

**Section B(50 MARKS)**

14. Use a correct word to fill the gaps.

a. Roland is going \_\_\_\_\_ school.

b. Those \_\_\_\_\_ trains.

c. \_\_\_\_\_ are you?

d. Pretty is eating \_\_\_\_\_ banana.

15. Underline the odd man out.

a. ship, boat, car, dhow.

\_\_\_\_\_

b. leaf, vest, dress, shirt

\_\_\_\_\_

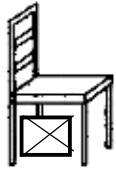
c. horse, camel, train, donkey

\_\_\_\_\_

d. ruler, mother , father , brother

\_\_\_\_\_

16. **Make sentences about the pictures or words.**



a.

\_\_\_\_\_

b.



\_\_\_\_\_

c. sitting

\_\_\_\_\_

d. This :

\_\_\_\_\_

17. **Re-write the sentences as instructed in brackets.**

a. Sarah is in P.2. Mary is in P.2. (Join using -----and-----)

\_\_\_\_\_

b. Juma is tall. Ali is taller. (Re-write using-----than-----)

\_\_\_\_\_

c. These are lorries. (Begin: This -----)

\_\_\_\_\_

d. He is sad. He lost his pencil. (Join using-----because-----)

\_\_\_\_\_

18. **Use the words in the brackets to complete the sentences correctly.**

a. The children \_\_\_\_\_ to school everyday. (go)

b. Annah is \_\_\_\_\_ food. (cook)

c. The baby \_\_\_\_\_ an egg every evening. (eat)

d. He \_\_\_\_\_ his car yesterday. (drive)

19. Study the pictures and answer the questions.

Princess



Desire



Mary



Robin



a. Who has a broom?

\_\_\_\_\_

b. \_\_\_\_\_ is cooking food.

c. \_\_\_\_\_ is skipping a rope.

d. What is Desire doing?

\_\_\_\_\_

20. Read the story and answer the questions in full sentences.

Farmers are some of the people in our community. Farmers work on their farms. They grow food crops in their garden. They need rain for their crops to grow well.

**Question**

a) Who are some of the people in our community?

\_\_\_\_\_

b) Where do farmers work?

\_\_\_\_\_

c) What do farmers grow in the garden?

\_\_\_\_\_

d) What helps crops to grow well?

\_\_\_\_\_

e) Farmers use hoes to \_\_\_\_\_ and \_\_\_\_\_ crops in their garden

21. Make five sentences from the table.


I	is	drinking milk.
Kato and Isingoma	am	good friends.
She	are	writing my exams.
The cat		playing football.
		chasing a rat.


1. \_\_\_\_\_
2. \_\_\_\_\_
3. \_\_\_\_\_
4. \_\_\_\_\_
5. \_\_\_\_\_


22. Choose the correct word from the brackets to fill the gaps.


- a. My \_\_\_\_\_ is very sick. (sun, son)
- b. We ate \_\_\_\_\_ yesterday. (meet, meat)
- c. I am wearing a red \_\_\_\_\_. (hut, hat)
- d. Keneth is sailing a \_\_\_\_\_. (ship, sheep)

23. Use the right word from the box to complete the sentences correctly.

a.  She is -----clothes.


b.  Mike is \_\_\_\_\_ a bicycle.

c.  Keith is \_\_\_\_\_ plants.

d.  The girl is \_\_\_\_\_ to God.

**riding    praying,    washing,    watering**


24. Use Yes, it is / No, it is not.

a.  Is this a safety pin?

\_\_\_\_\_

b.  Is this a ball?

\_\_\_\_\_

c.  Is this a bed?

\_\_\_\_\_

25. Write a small word from the big one.

hat

\_\_\_\_\_

aeroplane

\_\_\_\_\_

tall

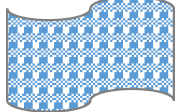
\_\_\_\_\_


mother

\_\_\_\_\_



26. Answer responsibly.

a.  This is a \_\_\_\_\_

b.  It is a \_\_\_\_\_

**END**





# KINGS WAY PRIMARY SCHOOL


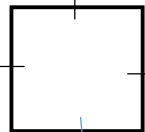

P. 2 RECESS REVISION 2020 - (SET FOUR)

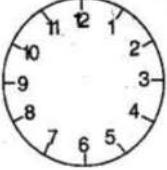
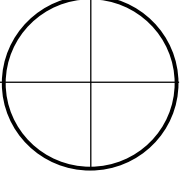

## MATHEMATICS


**DURATION : 1 HOUR 45 MINUTES**

Name \_\_\_\_\_ Stream \_\_\_\_\_

### SECTION A (30 marks)

1.	Workout : $2 \times 3 =$
2.	Fill in the missing numbers. 8, 9, _____, 11, _____ 13
3.	Write the number shown in the bundles below.  = _____
4.	Name the shape drawn 
5.	Write 15 in words.
6.	Draw a set of three girls. 

7	<p>Show 6 o'clock on the clock below.</p> 
8.	<p>Shade a half.</p> 
9.	<p>Write the last day of the week.</p>
10	<p>Complete the abacus below.</p> 
11.	<p>What is 6 minus 2 equals to?</p>
12.	<p>Four girls got the following marks in Maths.  Amina 20  Alexis 15  Linda 30  Mary 50</p>
a.	<p>Who got the least mark?</p>

b.	What was the highest mark?
13.	Underlined the odd man out. nine, two, red, eight
14.	What number is before 19?
15	Match the following money notes with their colour correctly. Sh. 2000            Purple Sh. 5000            Blue Sh. 10,000        Green 
16	Write the following in figure. a) Thirty two _____ b) twelve _____ c) twenty _____
17	4 boys + 5 boys = _____ boys
18	Complete correctly; a) 2 tens = _____                      b). sixty = _____ tens

19

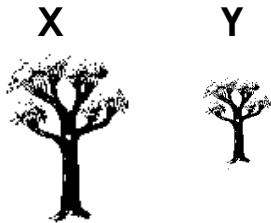
Name the set below.



A set of \_\_\_\_\_

20

Compare using taller or shorter.



a. Tree X is \_\_\_\_\_ than tree Y.

b. Tree Y is \_\_\_\_\_ than tree X.

**SECTION B (70 MARKS)**

21.

Multiply

$5 \times 0 =$  \_\_\_\_\_



$$\begin{array}{r} 21 \\ \times 2 \\ \hline \end{array}$$

22.

Fill in the missing letters.

a.

M\_\_nd\_\_y

b. Fr\_\_d\_\_y

23.

Take away.

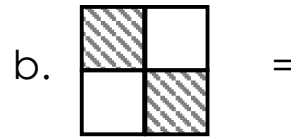
$$\begin{array}{r} 13 \\ - 8 \\ \hline \end{array}$$

b.  $9 - 0 =$  \_\_\_\_\_

c.

$$\begin{array}{r} T O \\ 52 \\ -22 \\ \hline \end{array}$$

24. Write the shaded fraction.



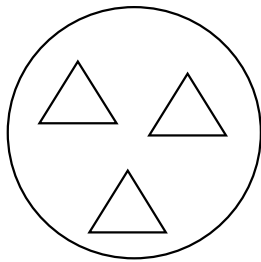
i. Workout

$$\frac{3}{7} + \frac{1}{7} + \frac{2}{7}$$

ii.  $\frac{7}{11} - \frac{3}{11}$

25

**B**



**A**



a. Name set A.

b. Which set has less members?


c. How many members do the two sets have altogether?


26 Write the number name for the following.


4 \_\_\_\_\_

b. 10 \_\_\_\_\_

27. Count and write the number.

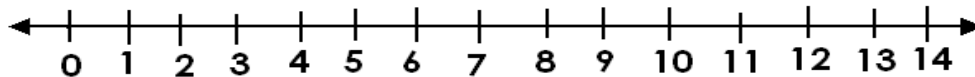
a.  = \_\_\_\_\_ side

b.  = \_\_\_\_\_ legs.

c.  = \_\_\_\_\_ triangles.

28. Workout using the numberline.

$$2 + 4 = \underline{\quad}$$



b. Write the statement represented below.



29. **Fill in  $-$ ,  $+$  or  $\times$  to complete the statements.**

$$4 \underline{\quad} 0 = 0$$

$$8 \underline{\quad} 2 = 6$$

$$3 \underline{\quad} 4 = 7$$

30. Add the money; sh. 500

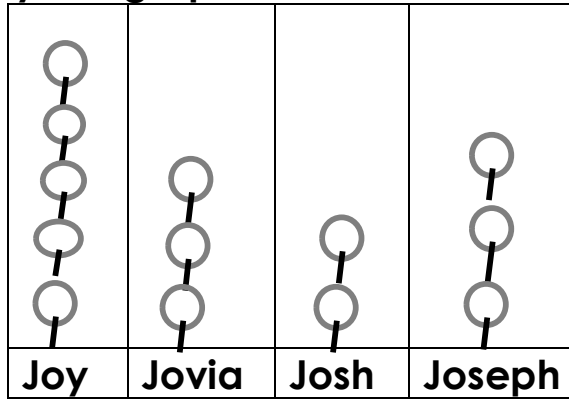
+sh. 300

\_\_\_\_\_

b. Which feature is on a coin of two hundred shillings?

31

Study the graph below and answer the questions.



a.

How many children shared the sweets?

b.

Jovia and Joseph got \_\_\_\_\_ sweets.

c.

\_\_\_\_\_ got the least number of sweet.

d.



Who got five sweets?

e.

How many sweets did they get altogether?

32

Draw the following shapes.

	
<b>Circle</b>	<b>rectangle</b>

END



# KINGS WAY PRIMARY SCHOOL

P. 2 RECESS REVISION 2020 - (SET FOUR)

## LITERACY IA

**DURATION : 1 HOUR 45 MINUTES**

Name \_\_\_\_\_ stream \_\_\_\_\_

### Instructions

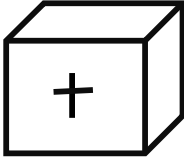
1. Answer all questions.
2. Read the questions carefully before you answer.
3. Write your answers well.

### SECTION A (30 MARKS)

1. Name one bird kept at home.  
\_\_\_\_\_
2. Give one way of caring for our legs.  
\_\_\_\_\_
3. Name the insect which provides honey to people.  
\_\_\_\_\_
4. How are wings useful to a bird?  
\_\_\_\_\_
5. Write any one group of living things.  
\_\_\_\_\_
6. Name one thing got from plants?  
\_\_\_\_\_
7. Mention any one colour of flowers.  
\_\_\_\_\_
8. How are spiracles useful to an insect?  
\_\_\_\_\_
9. Mention any one danger of too much rain.  
\_\_\_\_\_
10. Give one use of food in the body.  
\_\_\_\_\_
11. Name one part of head.  
\_\_\_\_\_
12. Write down one common disease in your area.  
\_\_\_\_\_
13. Give one thing used in washing clothes.  
\_\_\_\_\_



14. Name this container shown below.



\_\_\_\_\_

15. Why is a hen called a living thing?

\_\_\_\_\_

16. Mention any one type of weather.

\_\_\_\_\_

17. Name sense organ used for hearing.

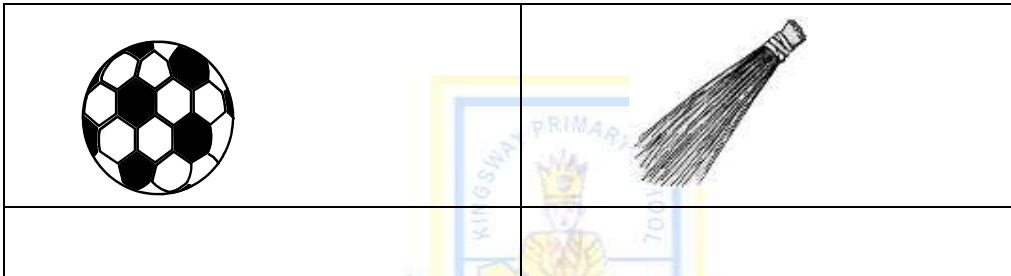
\_\_\_\_\_

18. Baby is to person as \_\_\_\_\_ is to a cow.

19. How is a pot important in a home?

\_\_\_\_\_

20. **Name these materials we make.**



21. Give a reason why animals move.

\_\_\_\_\_

22. How many legs does an insect have?

\_\_\_\_\_

23. Mention one natural source of light.

\_\_\_\_\_

24. What good habit is done after visiting a toilet?

\_\_\_\_\_

25. Give one use of water at home.

\_\_\_\_\_

26. Give a reason why we give first aid to injured people.

\_\_\_\_\_

27. Write down one way of keeping food safe for a long time.

\_\_\_\_\_

28. Give one item used to protect ourselves from rain.

\_\_\_\_\_

29. Why is it dangerous to play with a razor blade?

\_\_\_\_\_

**Section B(70 MARKS)**

30. a) Mention any two non living things.

i) \_\_\_\_\_ ii) \_\_\_\_\_

b. Write two characteristics of living things.

i) \_\_\_\_\_

ii) \_\_\_\_\_

31. **Match animals to their young ones correctly.**

fish

calf

dog

duckling

cow

fry

duck

puppy

fish

\_\_\_\_\_

dog

\_\_\_\_\_

cow

\_\_\_\_\_




duck

\_\_\_\_\_

32a) Who is a first aider?

\_\_\_\_\_  
\_\_\_\_\_

b) **Name these items that cause accidents drawn below.**

		
_____	_____	_____

33a) Give the use of the following body parts.

i) Legs are used for \_\_\_\_\_

ii) Mouth is used for \_\_\_\_\_

b) Mention any two ways of keeping the body clean..

i) \_\_\_\_\_

ii) \_\_\_\_\_

34. a) Name the clouds that give us rain.

\_\_\_\_\_

- b. Write any two elements of weather.  
 i) \_\_\_\_\_ ii) \_\_\_\_\_  
 c) Name one weather condition.  
 \_\_\_\_\_

35. a) **Use 'True or 'False to complete correctly.**

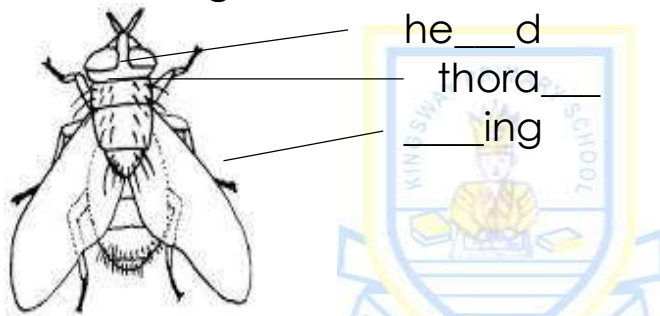
- i) Dogs guard our homes \_\_\_\_\_  
 ii) Wild animals are kept at home \_\_\_\_\_  
 iii) Houseflies spread diseases. \_\_\_\_\_  
 iv) Bees give us milk \_\_\_\_\_

b. Write down two ways of caring for plants.

- i) \_\_\_\_\_  
 ii) \_\_\_\_\_

36. a) Name the plant that is used to make sugar.  
 \_\_\_\_\_

b. **Fill in the missing letters.**



37. **Underline the places where accidents commonly happen.**  
**swimming pools, bedroom, roads, garden.**

b. Name one material kept in a first aid box.  
 \_\_\_\_\_

38. Name two sources of food.

**END**

- i) \_\_\_\_\_  
 ii) \_\_\_\_\_



# KINGS WAY PRIMARY SCHOOL

P. 2 RECESS REVISION 2020 - (SET FOUR)

LITERACY I B

**DURATION : 1 HOUR 45 MINUTES**

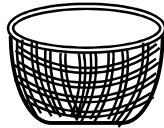
Name \_\_\_\_\_ stream \_\_\_\_\_

## SECTION A (40 MARKS)

1. How is a mother important at home?

\_\_\_\_\_

2. Name this craft.



\_\_\_\_\_

3. Who keeps law and order in the community?

\_\_\_\_\_

4. Name the clouds that give us rain.

\_\_\_\_\_

5. Why do we need land?

\_\_\_\_\_

6. Write any one means of water transport.

\_\_\_\_\_

7. Give any one example of food you eat at home.

\_\_\_\_\_

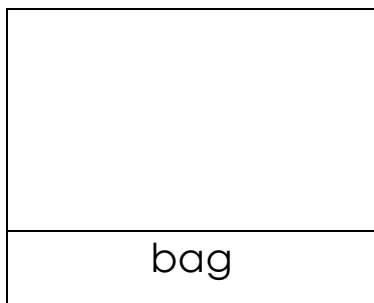
8. In which type of weather do we use umbrellas?

\_\_\_\_\_

9. Name the school that is always on a mat.

\_\_\_\_\_

10. Draw this personal property.



11. Why are children not allowed to play with bees?

---

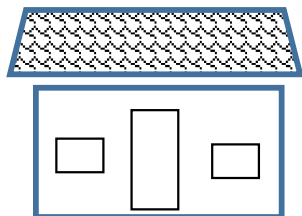
12. Mention any one type of family.

---

13. How are hens important at home?

---

14. Name this important place in our community.



---

15. Why do you come to school?

---

16. A \_\_\_\_\_ is a group of people living or working together.

17. Name any one colour of your school flag.

---

18. How is a school important to school children?

---

19. How are plants useful to people?

---

20. What is wind?

---

**SECTION B(60 MARKS)**

21.a) Mention any three basic needs of people.

i) \_\_\_\_\_

ii) \_\_\_\_\_

iii) \_\_\_\_\_

b. Give any one use of water at school.

---

22.a) \_\_\_\_\_ is the movement of people or goods from one place to another.

b. Write any three types of transport.

---

23a) What do we call a group of people related by blood marriage or adoption?

---

b. Give any three family members you know.

i) \_\_\_\_\_ ii) \_\_\_\_\_

iii) \_\_\_\_\_

24. Match correctly.

- |        |                    |
|--------|--------------------|
| Pots   | for sitting on     |
| Bricks | for carrying water |
| Brooms | for building       |
| Chairs | for sweeping       |

a. Pots \_\_\_\_\_

b. Bricks \_\_\_\_\_

c. Brooms \_\_\_\_\_

d. Chairs \_\_\_\_\_

25. a) What are wild animals?

---

---

b) Name any three wild animals.

i) \_\_\_\_\_

ii) \_\_\_\_\_

iii) \_\_\_\_\_

26. a) \_\_\_\_\_ are things made out of local materials using hands

b. Draw these things we make.

<b>mat</b>	<b>basket</b>	<b>pot</b>

27. **Fill in the missing letters.**


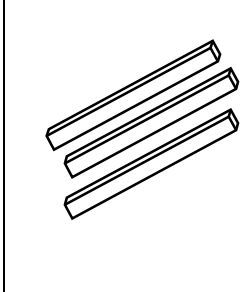
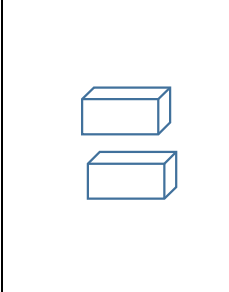
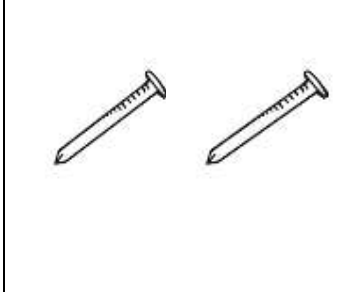
i) p\_\_\_ace

ii) sec\_\_rity

iii) harm\_\_\_ny

iv) de\_\_ence

28. Name these building materials.

29a) \_\_\_\_\_ is staying in harmony with others.

b. Give any three tools used to keep peace and security.

i) \_\_\_\_\_

ii) \_\_\_\_\_

iii) \_\_\_\_\_

30a. What do we call things used in the garden?

\_\_\_\_\_

b. Mention any two things used in the garden.

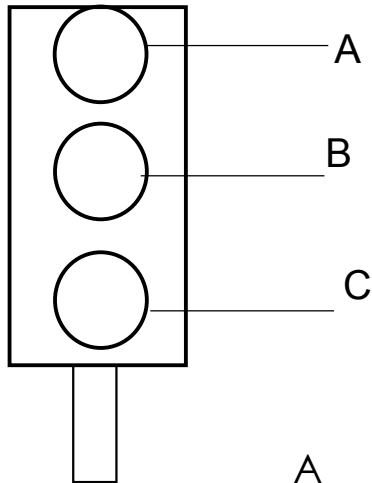
i) \_\_\_\_\_

ii) \_\_\_\_\_

c. How is a hoe useful to a farmers?

\_\_\_\_\_

31. Study the traffic light below carefully and name the colours.



A \_\_\_\_\_

B \_\_\_\_\_

C \_\_\_\_\_

b. Where do children cross a busy road from?

\_\_\_\_\_

32a) \_\_\_\_\_ is the condition of the atmosphere of a given place and time.



b. Write any three things used to manage rainy weather.

i) \_\_\_\_\_ ii) \_\_\_\_\_

iii) \_\_\_\_\_

33a) Why do school children put on uniforms?

\_\_\_\_\_

b. Write down any two groups of people who put on uniform when at work.

i) \_\_\_\_\_

ii) \_\_\_\_\_

c. Which symbols of a school shows visitors where the school is found?

\_\_\_\_\_

34. a) How can we keep our house clean?

\_\_\_\_\_

b. Give any two things found in a house.

i) \_\_\_\_\_

ii) \_\_\_\_\_

c. Why do we need a house?

\_\_\_\_\_

35. Mention any three important people in our community.

i) \_\_\_\_\_

ii) \_\_\_\_\_

iii) \_\_\_\_\_

b. What is the main work of the policeman?

\_\_\_\_\_

**END**