

# NAMAGUNGA PRIMARY BOARDING SCHOOL

## P.5 REVISION SET (2) JUNE - 2020

### INTEGRATED SCIENCE

*Time allowed:*

*2 Hours 15 Minutes*

**Pupil's Name:** .....

**Stream:**.....

Read the following instructions carefully.

1. This paper has two sections **A** and **B**.
2. Section **A** has **40** short questions (40 marks)
3. Section **B** has **15** questions (60 marks)
4. Answer **ALL** questions. All answers to both sections **A** and **B** must be written in spaces provided.
5. All answers must be clearly written using blue or black ball point pen or ink. Only diagrams should be drawn in pencil.
6. Unnecessary changes of work may lead to loss of marks.
7. Do not fill in the boxes. They are for examiners' use only.

FOR EXAMINERS' USE ONLY

FOR EXAMINERS' USE ONLY		
Qn. No.	MARKS	EXR'S NO.
1 – 10		
11 – 20		
21 – 30		
31 – 40		
41 – 50		
51		
52		
53		
54		
55		
TOTAL		

**SECTION A**

1. Name the material bees collect from flowers.

.....

2. Give any one food value that keeps the body healthy.

.....

3. State one way in which soil fertility can be maintained.

.....

4. State one reason why latrines should be regularly cleaned.

.....

5. Apart from modeling, give any one activity you can do at home to earn a living.

.....

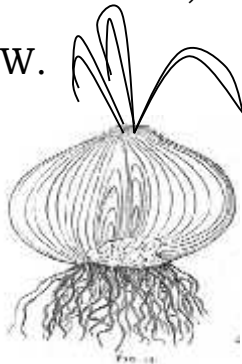
6. Give one reason why farmers keep poultry.

.....

7. In which way can AIDS be prevented among school going children.

.....

8. In the diagram below, label the part that makes food for an onion plant with letter W.



.....

9. Which body organ helps in the filtration of blood?

.....

10. State the importance of louvers on a Stevenson screen.

.....

11. Apart from building, give any one way sand soil is important to people.

.....

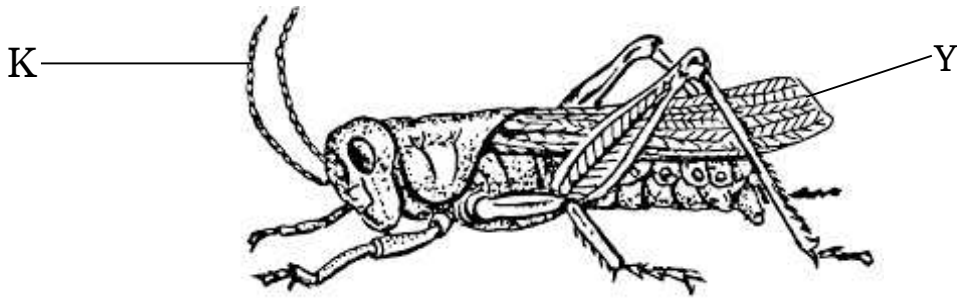
12. Why should fire extinguishers be strategically positioned?

.....

13. Name one immunisable disease that affects the skin.

.....

**Use the diagram of an insect below to answer questions 14 and 15.**



14. Name the part labelled K.

.....

15. State the importance of part Y apart from flying.

.....

16. Name the part of the tooth that contains blood capillaries.

.....

17. How can a poultry farmer prevent the hens from laying eggs with soft shells?

.....

18. Name the food deficiency disease caused by lack of enough vitamin B<sub>1</sub> in the body.

.....

19. Name the component of air with the least percentage.  
.....

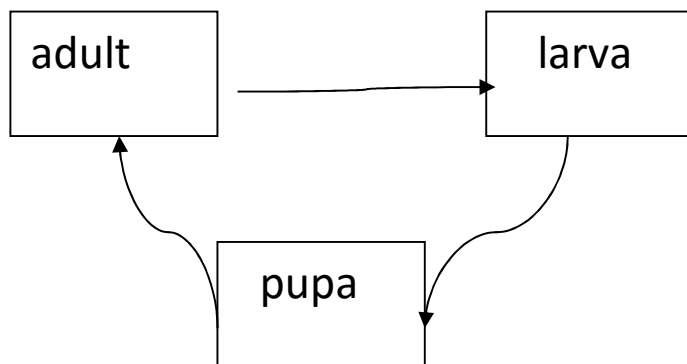
20. State any one importance of the above component in the environment.  
.....

21. Why is it dangerous for people to stay with other animals in the same House?  
.....

22. Give any one human activity that can lead to floods in an area.  
.....

23. Name the family basic need that helps to control communicable diseases.  
.....

**The diagram below shows the life cycle of a disease vector. Use it to answer questions 24 and 25.**



24. Name the vector shown in the diagram.  
.....

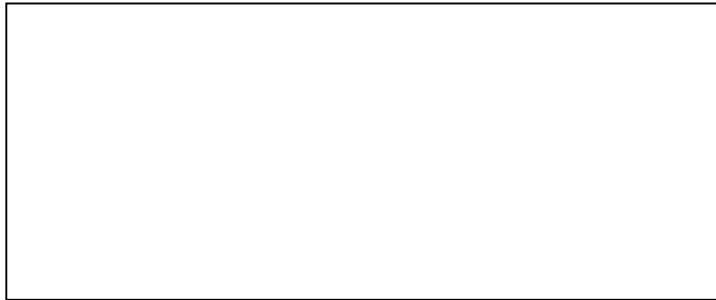
25. Give one way in which the above vector can be controlled in the community.  
.....

26. State any one way weeds can be useful to farmers.  
.....

27. Name the part of an egg from which the embryo develops.

.....

28. In the space below, draw a simple serrated leaf.



29. State one importance of the brain in the human body.

.....

30. Which group of crops help to improve the fertility of the soil?

.....

31. Apart from washing hands, give one way diarrhoeal diseases can be prevented at home.

.....

32. How are some flowers able to be pollinated by wind?

.....

33. Name one material we can use to remove dirt from clothes.

.....

34. Why do deciduous plants shed their leaves during the dry season?

.....

35. In which units is temperature measured?

.....

36. Name the process in plants which helps animals to get food.

.....

37. Give the reason why sick animals should be isolated from healthy ones.

.....

38. State one way insects can be dangerous to people.

.....

39. State any one common sign of dysentery.

.....

40. Name one germ that leads to rotting of materials.

.....

**SECTION B**

41. (a) Apart from Kigezi bee hive, mention one other example of a traditional bee hive.

.....

(b) State any two reasons why farmers prefer using modern bee hives to traditional ones.

.....

(c) How do worker bees regulate temperature in a bee hive?

.....

42. **The diagram below shows an accident that commonly occurs at home. Study and use it to answer the questions that follow.**



(a) Name the accident shown in the above diagram.

.....

(b) Apart from the above given accident, give two other common accidents which occur at home.

.....

(c) Write down the first aid given to a child shown in the diagram above.

.....

43. (a) How are the following body organs useful in our bodies?

(i) heart .....

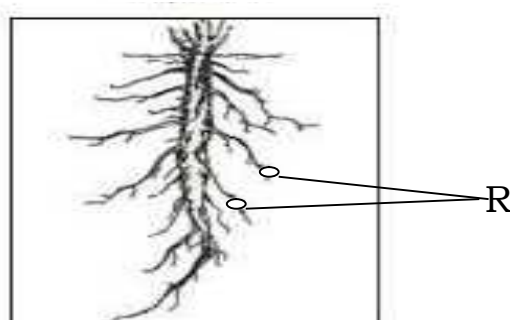
(ii) lungs .....

(b) State any two ways of caring for the above body organs.

(i).....

(ii).....

44. **The diagram below shows a root system. Study and use it to answer the questions that follow.**



(a) Name the structures marked R.

.....

(b) How are structures marked R useful to such plants?

.....

(c) Mention any two crops with such structures on their roots.

.....

45. (a) Name any two diseases which attack both poultry and rabbits.
- (i).....
- (ii).....
- (b) State any two ways of controlling diseases among birds.
46. (a) Give the meaning of temperature.
- .....
- (b) How is a kink important on a clinical thermometer?
- .....
- (c) Give any one liquid used in a clinical thermometer.
- .....
- (d) Name any one body part where a clinical thermometer can be placed when taking the measurements.
- .....
47. (a) State any two ways in which plants with weak stem climb others.
- (i).....
- (ii).....
- (b) Why do plants with weak stems climb other plants.
- .....
- (c) Name any one example of crops which climb others.
- .....
48. (a) Name the system of rearing birds where the floor is covered by litter.
- .....
- (b) State one importance of litter on the floor of the poultry house to birds.
- .....



(c) How is litter from a poultry house useful to a crop farmer?

.....

(d) Why is it dangerous to leave litter in a poultry house for a long time?

.....

49. **The diagram below shows a crop growing practice in banana plants. Study and use it to answer the questions that follows.**



(a) Name the crop growing practice shown above.

.....

(b) How is the above crop growing practice important to banana plants?

.....

(c) Apart from the above practice, give two other ways of caring for banana plants.

(i).....

(ii).....

50. (a) How are the following teeth adapted to their functions.

(i) incisors .....

(ii) canines .....

(b) State any two ways of caring for the teeth.

(i).....

(ii).....

51. (a) Match the weather instruments in **A** with their functions in **B**.

**A**

**B**

(i) Rain gauge

Measures humidity

(ii) barometer

shows direction of wind

(iii) Wind vane

measures atmospheric pressure

(iv) hygrometer

measures the amount of rain fall

52. (a) Name one example of communicable disease spread by houseflies.

.....

(b) Why do houseflies lay their eggs in rotting materials?

.....

(c) State two ways of controlling the breeding of houseflies in our homes.

(i).....

(ii).....

53. (a) Name the property of air demonstrated when a person drinks a soda using a straw.

.....

(b) Apart from the above property of air given above, give other two properties of air.

(i).....

(ii).....

(c) State the percentage of rare gases in the atmosphere.

.....

54. **The diagram below show a structure used in rabbit rearing. Study and use it to answer the questions that follow.**



(a) Name the type of hutch shown in the diagram above.

.....

(b) Why should a hutch be raised from the ground?

.....

(c) Give one reason why a hutch should be kept dry.

.....

(d) Mention any one material used in constructing the above hutch.

.....

55. (a) Give any two traditional methods of preserving food.

(i).....

(ii).....

(b) State one reason why people preserve food.

.....

(c) Apart from using traditional methods of preserving food, give one method of preserving fish.

.....

**END**